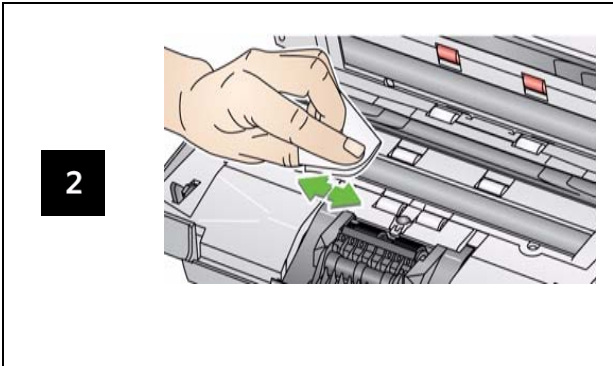


Cleaning the imaging area



Indicator Lights

The power button is illuminated blue when the Scan Station is on and ready. Following is a description of LED status:

LED	Remedy
Steady blue	Scan Station is on and ready to scan.
Flashing blue	Indicates the Scan Station is initializing from powering on or warming up and preparing to scan.
Flashing or steady red	Indicates a Scan Station error, such as the Scan Station cover is open.

Supplies and Accessories

CAT No.	Description
148 4864	<i>Kodak</i> Feed Rollers
173 6115	<i>Kodak</i> Separation Module
826 9607	<i>Kodak</i> Feed Module
853 5981	<i>Kodak</i> Roller Cleaning Pads
169 0783	<i>Kodak</i> Transport Cleaning Sheets
896 5519	Staticide Wipes for <i>Kodak</i> Scanners
868 3724	Optics Cleaner Pad
125 1842	Portable USB Drive (5-pack)
186 0949	USB Replacement Connector
867 7288	<i>Kodak</i> A4 Flatbed Accessory
179 6747	<i>Kodak</i> A3 Flatbed Accessory
826 3006	Keyboard (English) and Stand Accessory



Scan Station 500



Reference Guide

Kodak Service & Support

www.kodak.com/go/disupport

1.800.822.1414

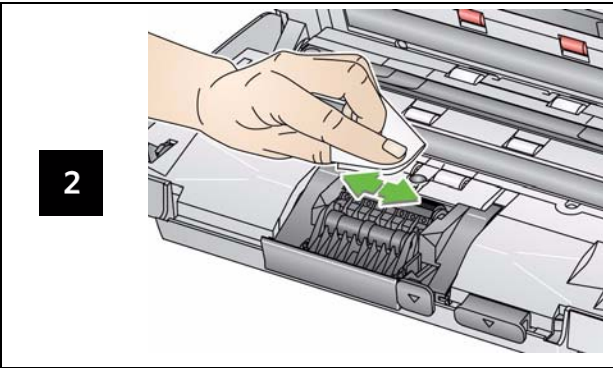
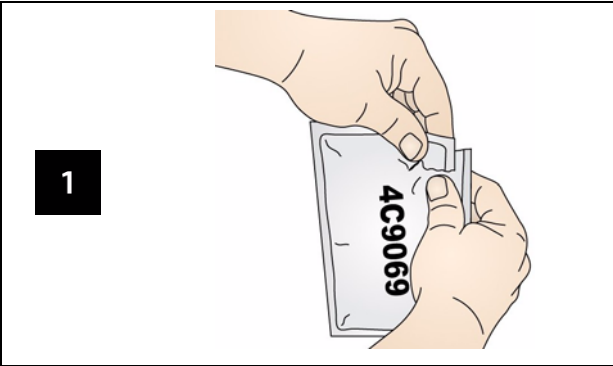
(US&C only; all other regions, contact your local Kodak Support Center)

When contacting support, have the following available:

- A description of your problem
- Scan Station serial number

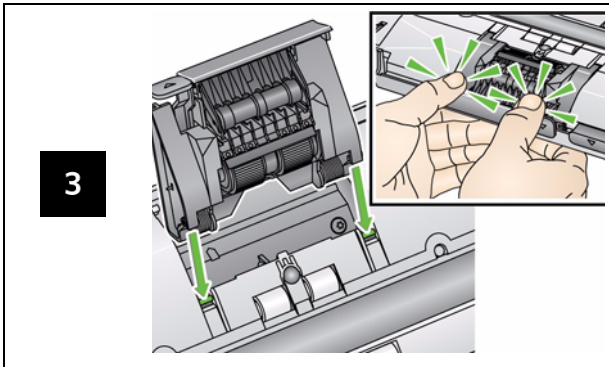
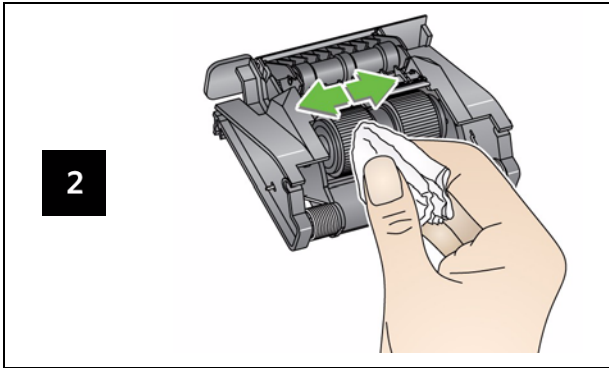
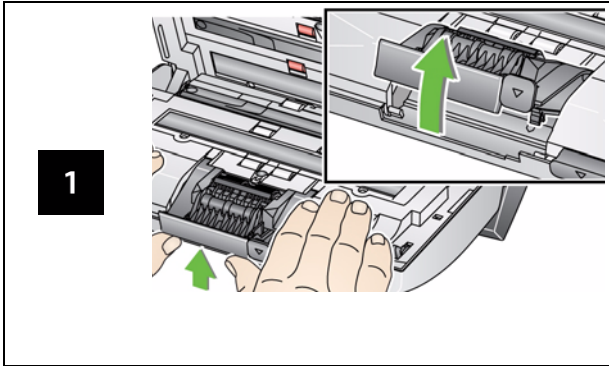
EASTMAN KODAK COMPANY
343 State Street
Rochester, New York 14650 U.S.A.
A-61633 / Part #8F8141 January, 2009
© Eastman Kodak Company, 2008
TM: Kodak

Cleaning the rollers



IMPORTANT: The Roller Cleaning Pad contains sodium lauryl ether sulfate which can cause eye irritation. Refer to the MSDS for more information.

Cleaning and replacing the separation module



Cleaning and replacing the feed module

